

Cordsets

Power & Ethernet and I/O



Power & Ethernet
Part# 301176 - 1xOpen, 1xRJ45
(Part# 301171 w/ 90° Connector)



Power & Ethernet
Part# 301165 - 2xRJ45
(Part# 301173 w/ 90° Connector)



I/O Open Wire
Part# 301175
(Part# 301172 w/ 90° Connector)

There are two types of high-flex cordsets for use with Gocator®: (1) the **Power & Ethernet cordset** and (2) the **I/O cordset**. Both feature a small dynamic and static bend radius for maximum installation versatility.

POWER & ETHERNET CORDSET

The **Power & Ethernet cordset** provides a single cable solution for most applications by combining power, laser safety, and Ethernet connection. And, when combined with a Master network device, this high-flex cable even provides synchronization of external encoder and I/O signals.

There are two types of Power & Ethernet cordset to choose from: (A) a single RJ45 and open-wire cordset for use with a Gigabit Ethernet switch and your own power supply, and (B) a dual RJ45 connector cordset for use with an LMI Master hub and a Gigabit Ethernet switch in order to create Gocator® multi-sensor networks.

I/O CORDSET

The **I/O cordset** provides an open-wire end for discrete I/O (2 inputs, 1 output), a quadrature encoder, 1 x Serial, and 1 x Analog outputs. The I/O cordset provides easy breakout of Gocator's digital triggers, outputs, and encoder input for applications that require these additional features.

POWER & ETHERNET CORDSET	BINDER CONNECTOR	PART NUMBER
2xRJ45	90° (right angle)	301173
	Straight	301165
1xOpen, 1xRJ45	90° (right angle)	301171
	Straight	301176
I/O CORDSET		
I/O Open Wire	90° (right angle)	301172
	Straight	301175

All high-flex cordsets are available with straight or right angle (90°) Binder connectors that connect with the sensor. Cordsets with 90° Binder connectors are preferred in mounting setups and cable runs where space is limited.

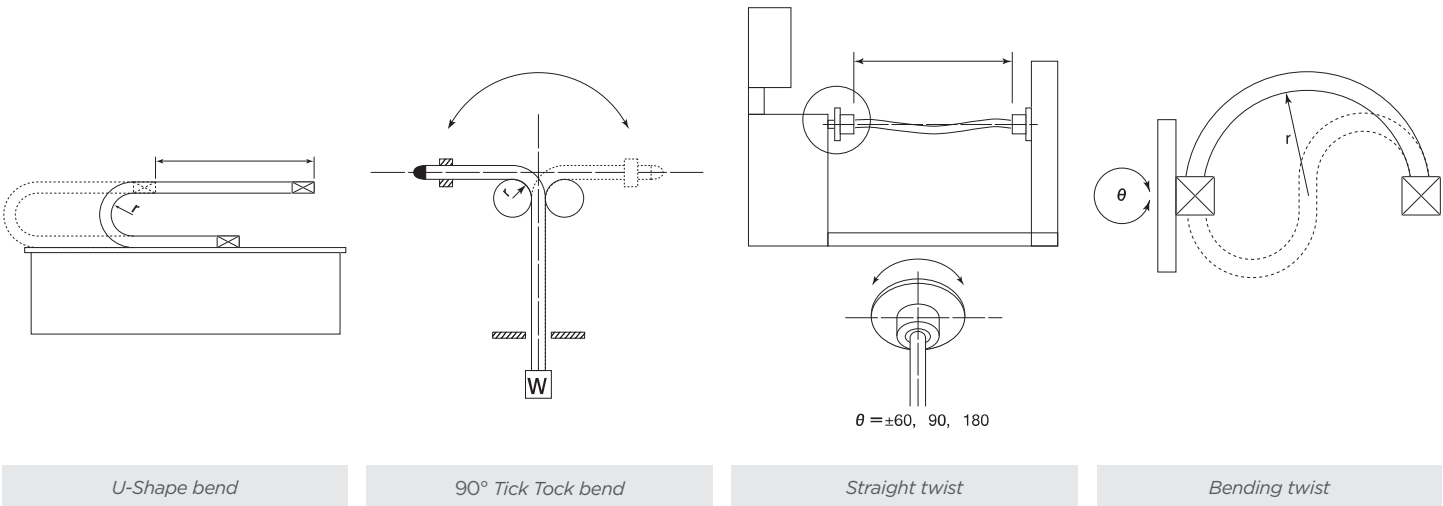
LENGTHS: POWER & ETHERNET CORDSET

2m, 5m, 10m, 15m, 20m Power and Ethernet cordset, 1x open wire end, 1x RJ45 end
1.2m, 2m, 5m, 10m, 15m, 20m Power and Ethernet to Master cordset, 2x RJ45 ends

LENGTHS: I/O CORDSET

1.2m, 2m, 5m, 10m, 15m, 20m I/O cordset, open wire end

MECHANICAL SPECIFICATIONS	POWER & ETHERNET CORDSET	I/O CORDSET
Color	Black	Gray
Material	PVC (traces of Halogen)	PVC (traces of Halogen)
Certifications	CE Tested in System UL AWM 2517 105°C 300V	CE Tested in System UL AWM 2517 105°C 300V
Environmental Compliance	RoHS, Reach, Conflict Minerals	RoHS, Reach, Conflict Minerals
Country of origin	China	China
Overall diameter	8.5 ± 0.3 mm	9.0 ± 0.3 mm
Number of pairs	8	10
Conductor Size	26AWG	26AWG
Static Bend Radius	34 mm	34 mm
Dynamic Bend Radius	40 mm	40 mm
CABLE STRESS SPECIFICATIONS		
Number of bends (90° Tick Tock)	> 2,000,000	> 2,000,000
Number of bends (U-shape)	> 7,000,000	> 7,000,000
Number of straight twists (1m length - 180°)	> 20,000,000	> 20,000,000
Number of bending twists (1m length - 180°)	> 10,000,000	> 10,000,000
ELECTRIC SPECIFICATIONS		
Current Capacity (24-48_VDC, 24-48_GND)	3.0A @ 30 °C, 2.8A @ 50 °C	1.7A @ 30 °C, 1.4A @ 50 °C
Current Capacity	1.7A @ 30 °C, 1.4A @ 50 °C	N/A
Dielectric Voltage	2000 V/min	2000 V/min
Conductor resistance (20 °C)	130 Ω/km max	130 Ω/km max
Insulation resistance (20 °C)	100 MΩ km	100 MΩ km
Impedance	100 ± 15 Ω	100 ± 15 Ω



AMERICAS

LMI Technologies Inc.
Burnaby, BC, Canada

EMEAR

LMI Technologies GmbH
Teltow/Berlin, Germany

ASIA PACIFIC

LMI (Shanghai) Trading Co., Ltd.
Shanghai, China

LMI Technologies has sales offices and distributors worldwide. All contact information is listed at lmi3d.com/contact

